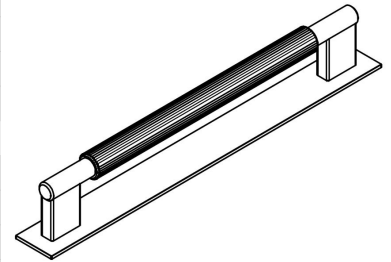




MODEL	ARPA PLATE						
REFERENCE	0588192L291						
CUSTOMER REFERENCE							
DESCRIPTION	ARPA plate - CC192L230mm brush dark brass handle						
	ARPA plate - Asa latón osc cepillado CC192L230mm						
MATERIAL	ALUMINIUM						
FINISH	BRUSHED DARK BRASS						
LENGTH	230,00	WIDTH	37,00	HEIGHT	25,00	DIAMETER	0,00
UNIT WEIGHT	NET	0.125 kg		GROSS	0.145 kg		
HOLES	TYPE		NUMBER OF HOLES		CC DISTANCE		
	M4		2		192 mm		
COMPONENTS							
REFERENCES	UNITS		REFERENCES		UNITS		



PACKAGING		VIEFE STAND									
LABEL				BOX							
EAN 13		EAN 14			INNER BOX	OUTER BOX					
BARCODE	8436531808938	BARCODE	18436531808935	PIECES	25	100					
POSITION	POLYBAG	POSITION	INNER BOX	DIMENSIONS	27x20x10,5cm	42x28x23,5cm					
				GROSS WEIGHT				3.625 kg	14.7 kg		
				SCREWS							
				TYPE				M4x25			
				UNITS				2			
											

CONTROL POINTS AND REQUIREMENTS

- The handles have passed the salty spray test, DIN EN ISO 9227 (5% saline solution/48 hours). Test procedure "Neutral Salt Spray Test" (NSS).
- Dimensions according to drawing.
- Color finish according color samples signed by VIEFE.