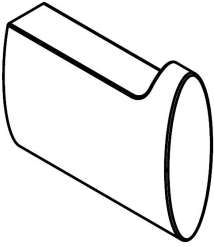






MODEL	7002 TAKK						
REFERENCE	7002016ZM2						
CUSTOMER REFERENCE							
DESCRIPTION	TAKK - hook in matt black 16x50x57mm						
	TAKK - colgador negro mate 16x50x57mm						
MATERIAL	ZAMAK						
FINISH	MATT BLACK						
LENGTH	16,00	WIDTH	50,00	HEIGHT	57,00	DIAMETER	0,00
UNIT WEIGHT	NET	0.159 kg		GROSS	0.209 kg		
HOLES	TYPE		NUMBER OF HOLES		CC DISTANCE		
	Ø5		1		- mm		
COMPONENTS							
REFERENCES	UNITS		REFERENCES		UNITS		
P7002016ZM2	1						
							

PACKAGING											
LABEL				BOX							
EAN 13		EAN 14			INNER BOX	OUTER BOX					
BARCODE	8436531805364	BARCODE	18436531805361	PIECES	1	12					
POSITION		POSITION		DIMENSIONS	4,8x9,5x8cm	10x20x25cm					
<div style="display: flex; justify-content: space-between;"> <div style="border: 1px solid black; padding: 5px; width: 45%;">                       www.viefe.com                      Ref.: <b>7002016ZM2</b>                        8436531805364                 </div> <div style="border: 1px solid black; padding: 5px; width: 45%;"> <p style="font-size: 1.2em; font-weight: bold;">7002016ZM2</p> <p>TAKK - colgador negro mate 16x50x57mm                      TAKK - hook in matt black 16x50x57mm</p> <div style="display: flex; align-items: center;">  <div style="margin-left: 10px;">                           18436531805361                     </div> </div> <p style="text-align: right; font-size: 0.8em;">12pcs</p> </div> </div>				GROSS WEIGHT	0.209 kg	2.708 kg					
				SCREWS							
				TYPE				TAC + ALLEN +			
				UNITS				1+1+1			

CONTROL POINTS AND REQUIREMENTS
<ul style="list-style-type: none"> <li>- The handles have passed the salty spray test, DIN EN ISO 9227 (5% saline solution/48 hours). Test procedure "Neutral Salt Spray Test" (NSS).</li> <li>- Dimensions according to drawing.</li> <li>- Color finish according color samples signed by VIEFE.</li> </ul>